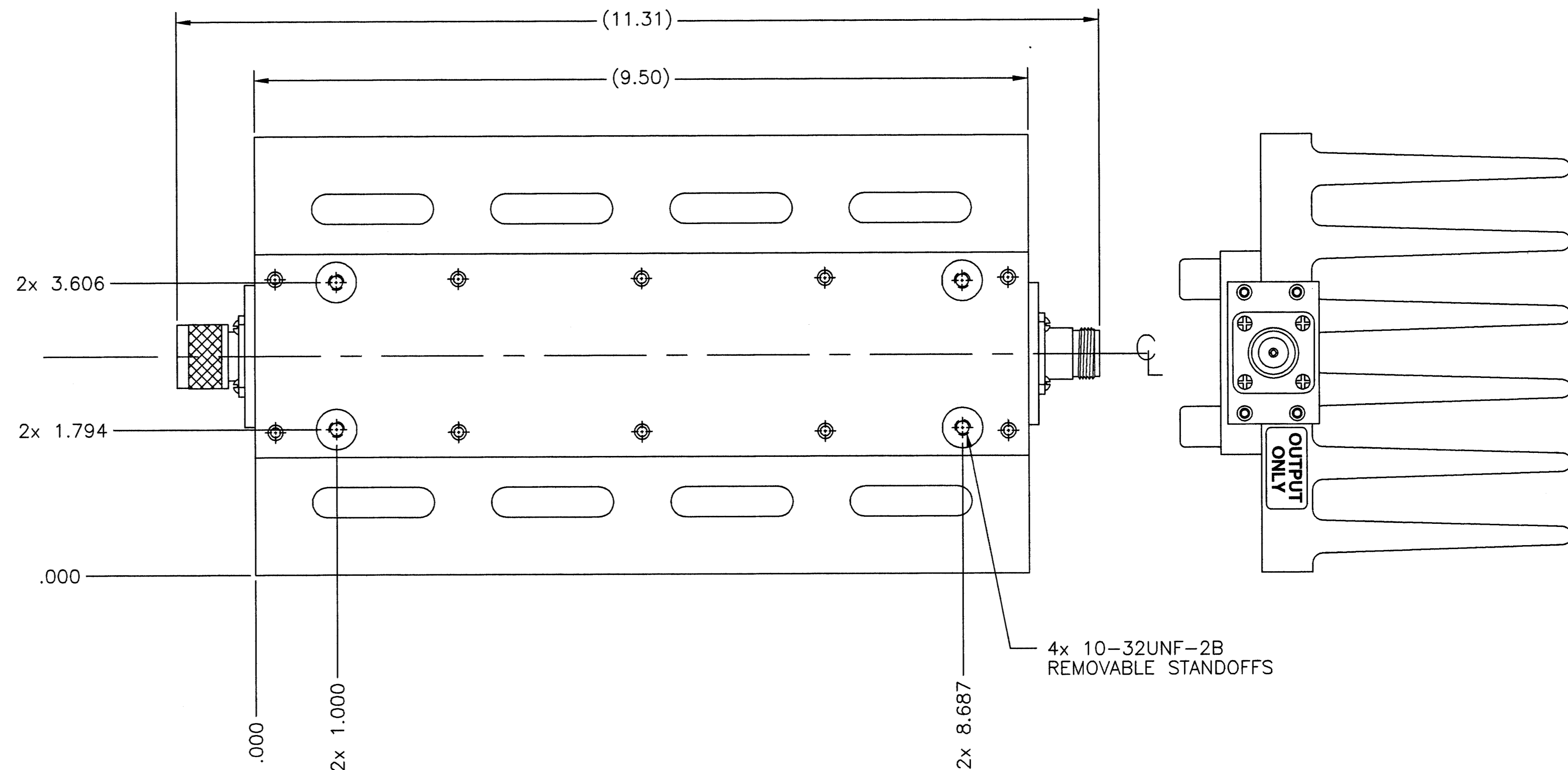
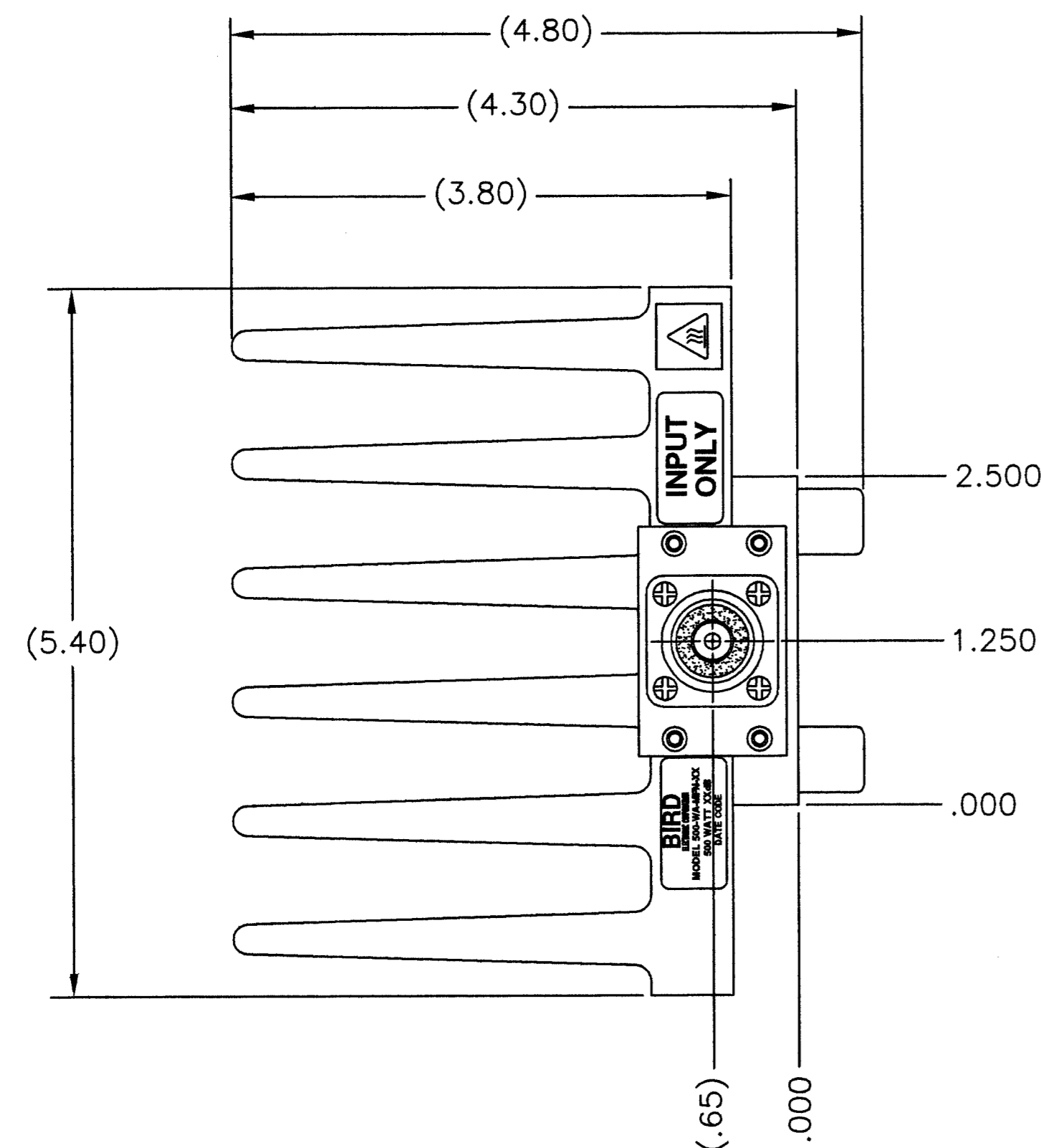


IMPEDANCE: 50 OHMS NOMINAL  
 FREQUENCY RANGE: DC TO 2.5GHz  
 VSWR: DC TO 1GHz AT 1.10:1 MAX.  
 1GHz TO 2.5 GHz AT 1.25:1 MAX.  
 POWER RATING: 500 WATTS AVG. (UNI-DIRECTIONAL) AT 25°C AMBIENT  
 DERATED LINEARLY TO 50 WATTS AT 125°C.  
 COOLING FIN: ALUMINUM, BLACK ANODIZED  
 HEAT SPREADER: ALUMINUM, BLACK ANODIZED  
 CONNECTORS: N-TYPE MALE/FEMALE, TRI-ALLOY PLATED  
 OPERATING POSITION: ANY POSITION EXCEPT MOUNTING SURFACE UP  
 NOMINAL SIZE: APPROX. 11.310" L X 5.400" W X 4.800" H  
 WEIGHT: APPROX. 7.9 LBS

REVISIONS				
ZONE	REV	DESCRIPTION	DATE	APPROVED
	A	ECN #0203	10-19-98	<i>MB</i>



XX = DASH NUMBER (dB VALUE)

-30	30	±0.8 dB	±1.3 dB
-20	20	±0.5 dB	±1.0 dB
-10	10	±0.4 dB	±0.8 dB
-06	6	±0.4 dB	±0.6 dB
-03	3	±0.3 dB	±0.5 dB
DASH NO.	dB ATTEN.	ATTENUATOR DC - 1GHz	ACCURACY ±dB 1 - 2.5GHz

NOTE:  
 FOR VALUES NOT LISTED, REFER TO THE NEXT HIGHER ATTENUATION LEVEL FOR SPECIFICATIONS.  
 FOR ATTENUATION VALUES GREATER THAN THE HIGHEST LISTED ATTENUATION VALUE, REFER TO THE VALUE 1/2 THE DESIRED ATTENUATION LEVEL, THEN DOUBLE THE LISTED SPECIFICATION VALUES, UNLESS OTHERWISE SPECIFIED.

DIMENSIONS HEREON ARE FOR CUSTOMER CONVENIENCE AND REFERENCE ONLY. TOLERANCE TO BE APPLIED ONLY WHERE INDIVIDUALLY STATED ON THE RESPECTIVE DIMENSION. -DO NOT SCALE DRAWING-

UNLESS OTHERWISE SPECIFIED DIMENSIONS ARE IN INCHES TOLERANCES ARE:		MILLIMETERS 30 = ±.4 .30 = ±.12		THIS DRAWING IS THE PROPERTY OF THE BIRD ELECTRONIC CORPORATION. THE DESIGNS AND SPECIFICATIONS DISCLOSED HEREON ARE PROPRIETARY AND SHALL NOT BE REPRODUCED, NOR COPIED, NOR USED AS THE BASIS FOR THE MANUFACTURE OR SALE OF APPARATUS OR DEVICES WITHOUT THEIR EXPRESS WRITTEN CONSENT.			
DO NOT SCALE DRAWING		APPROVALS		DATE		TITLE	
DRAWN		D.M.RINK		11-8-02		ATTENUATOR, CONVECTION COOLED N-TYPE MALE/FEMALE, 500W	
CHECKED		APPROVED		1-27-03		SIZE FSCM NO. 70998 Dwg. NO. 500-WA-MFN-XX	
FINISH		SCALE		1:1		COMM CODE AT1 SHEET 1 OF 1	

Dwg. No. 500-WA-MFN-XX Rev. A